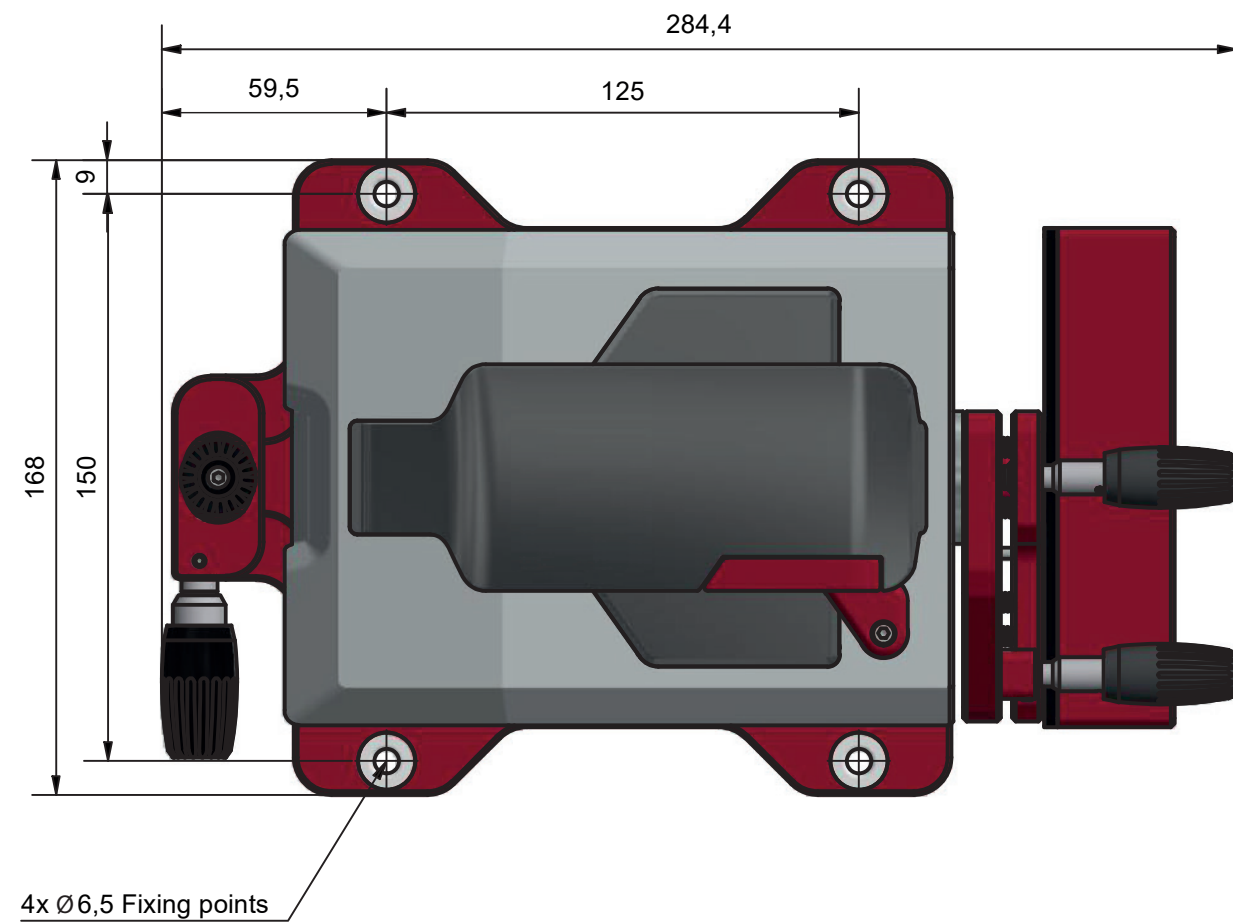
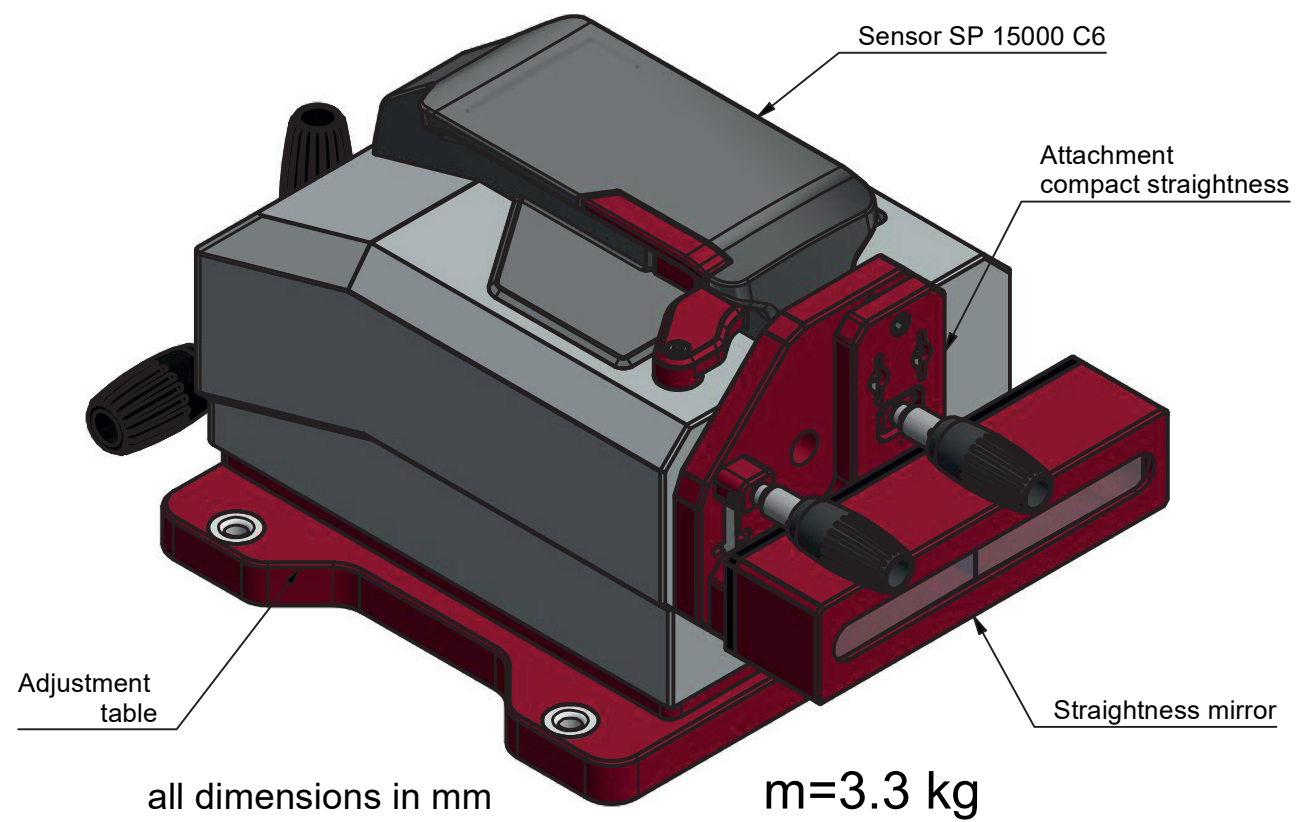
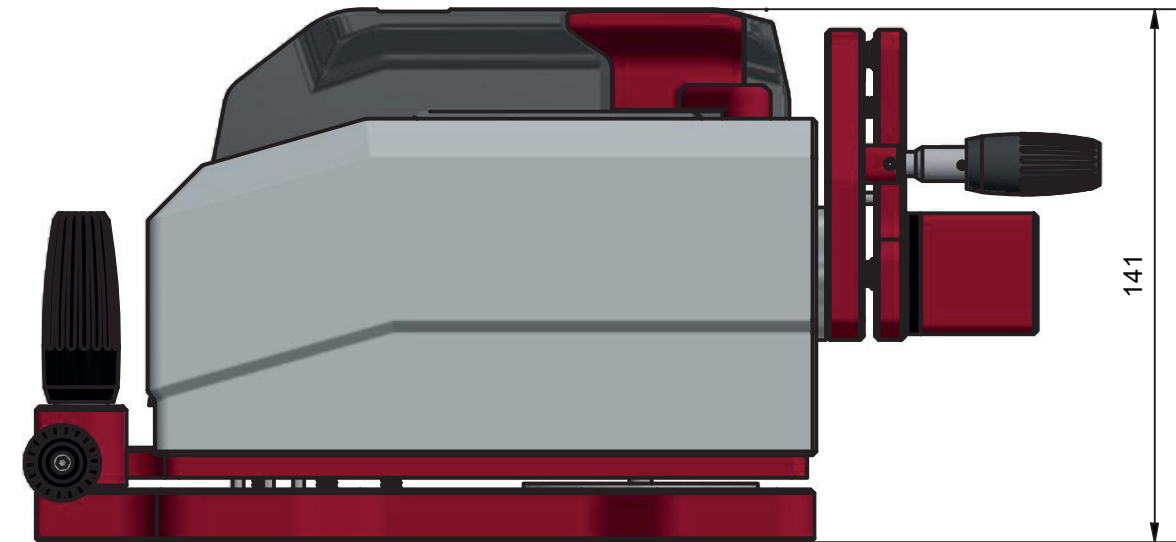
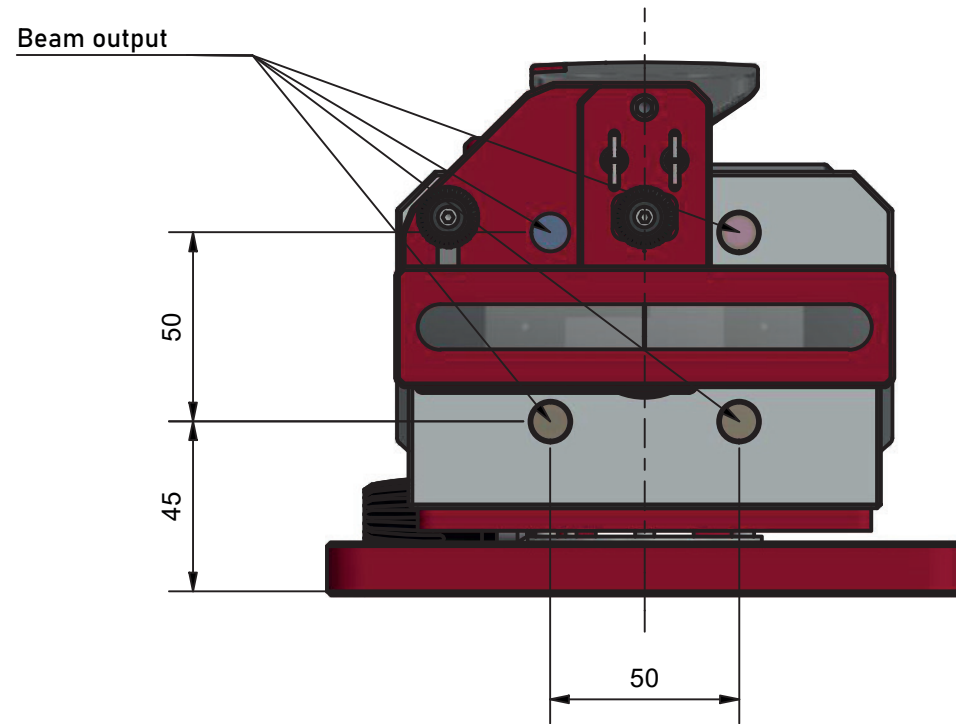
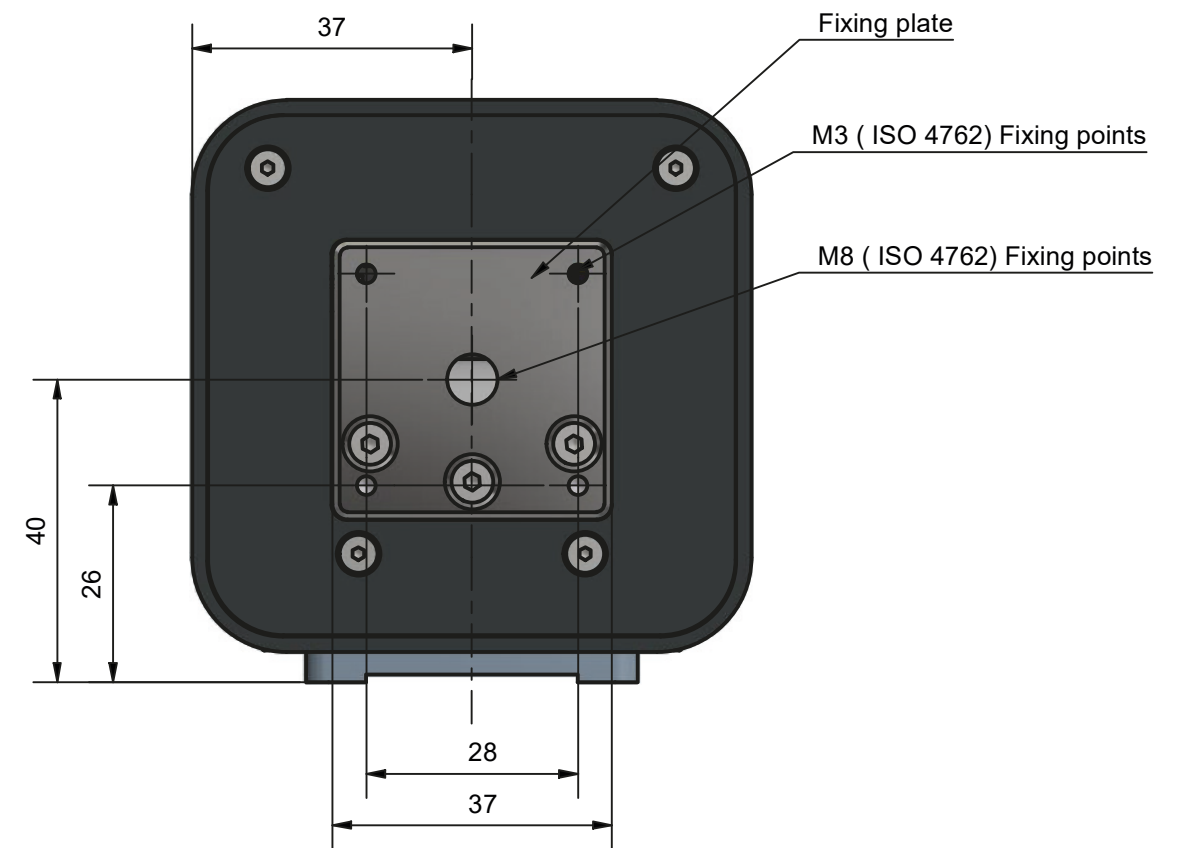
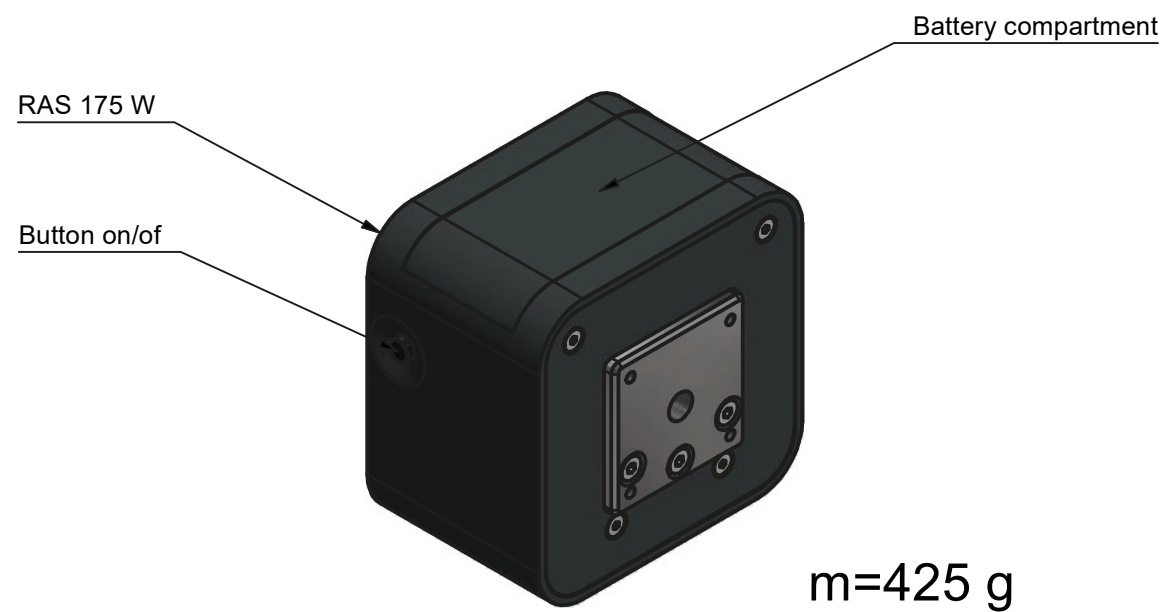
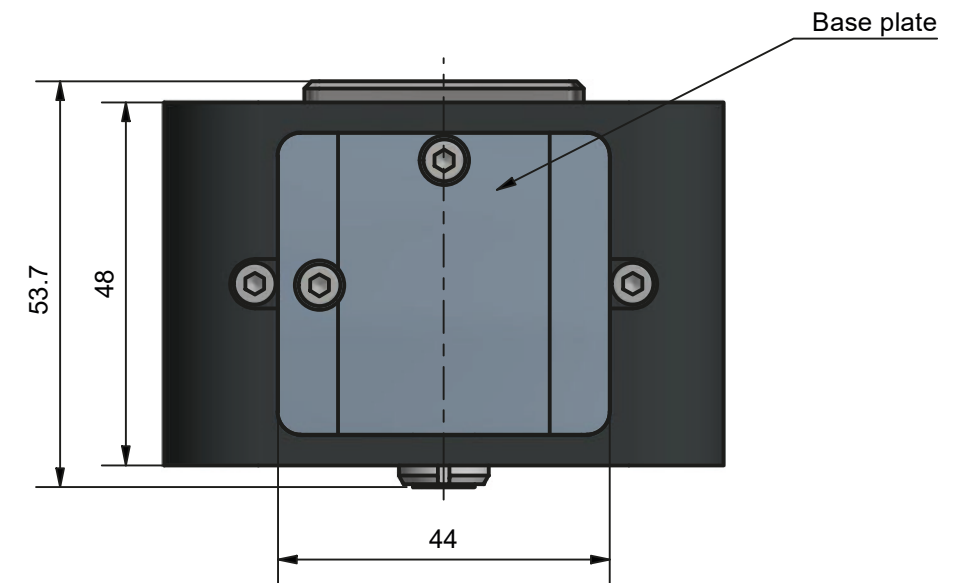
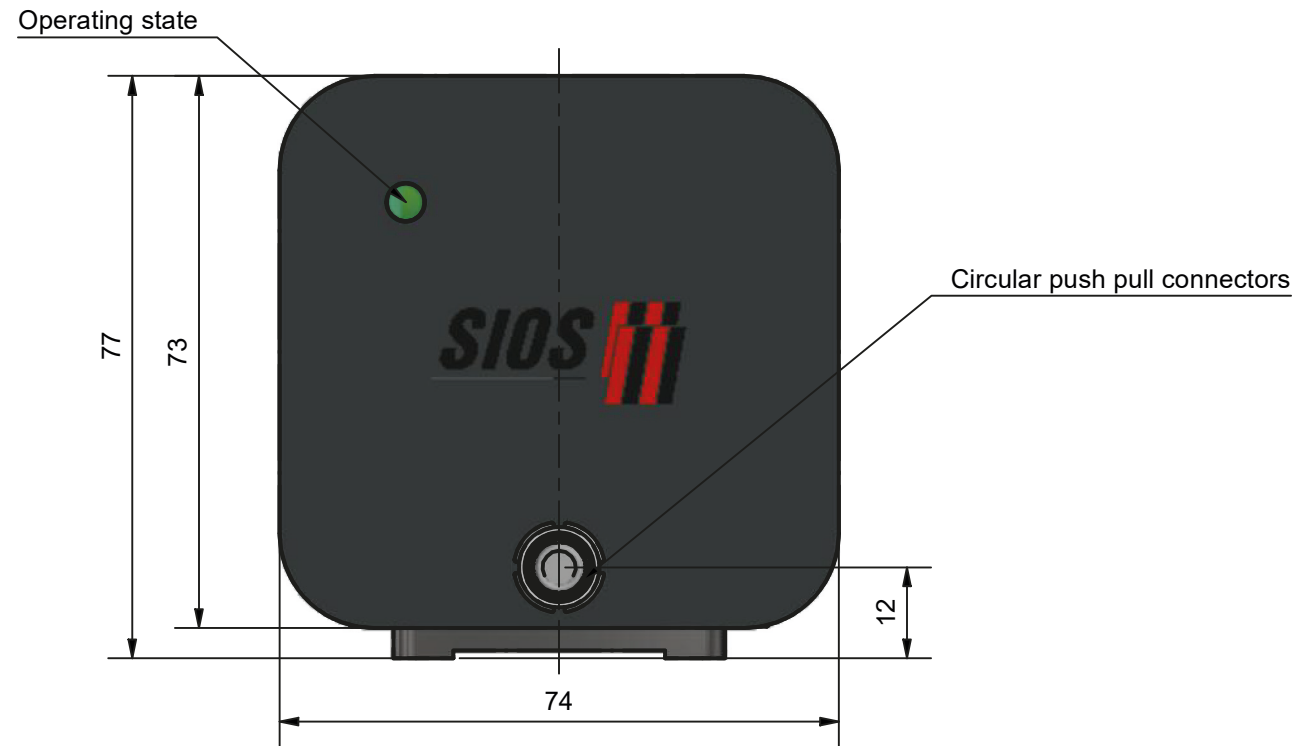


SP 15000 C6 NG (A042568)



Roll angle sensor RAS 175 W for SP 15000 C6 NG



all dimensions in mm

SIOS Meßtechnik GmbH

Am Vogelherd 46 • 98693 Ilmenau/Germany • phone: +49 (0) 3677 64 47-0 • e-mail: contact@sios.de • www.sios-precision.com

