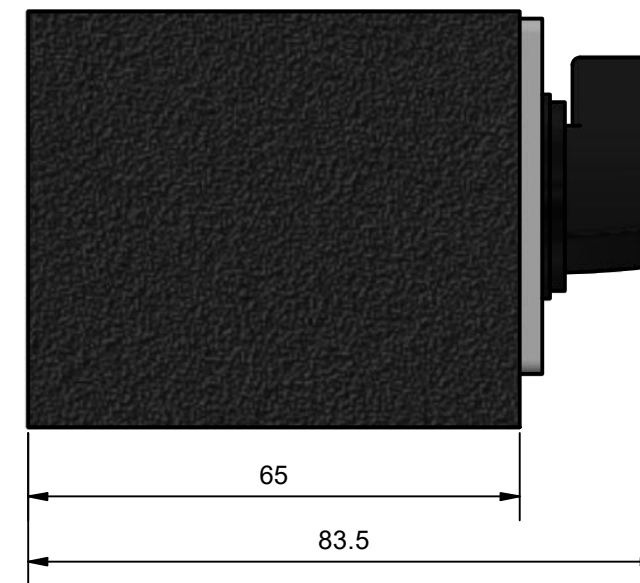
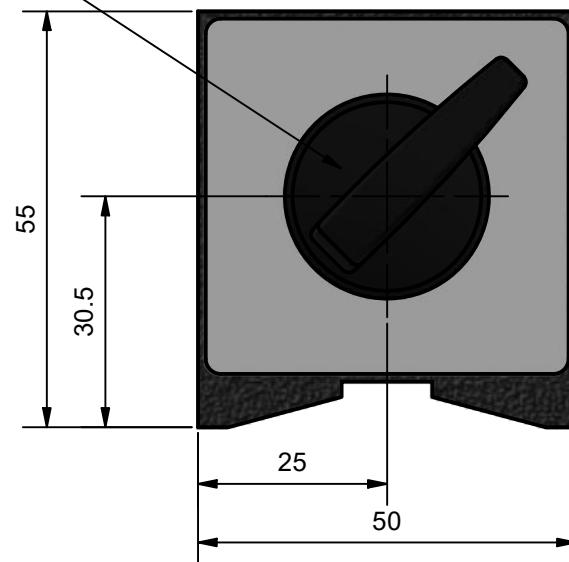


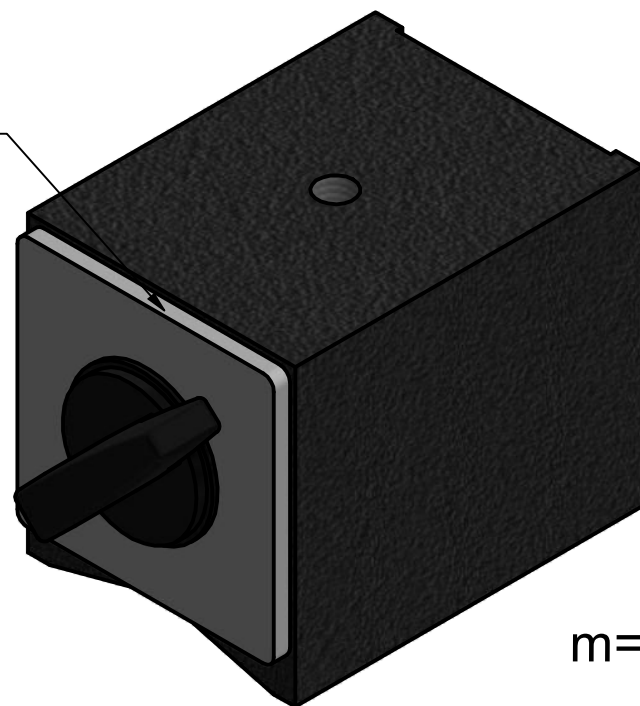
SP 15000 C Permanent magnet foot (A031025)

Pillar system

On-off switch
magnet

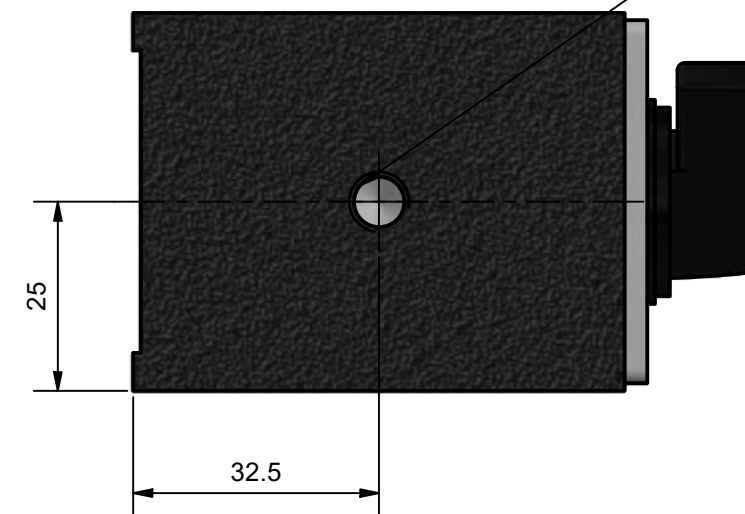


Permanent magnet foot



m= 180 g

M8 Fixing point



all dimensions in mm

SIOS Meßtechnik GmbH

Am Vogelherd 46 • 98693 Ilmenau/Germany • phone: +49 (0) 3677 64 47-0 • e-mail: contact@sios.de • www.sios-precision.com

SIOS
Meßtechnik GmbH