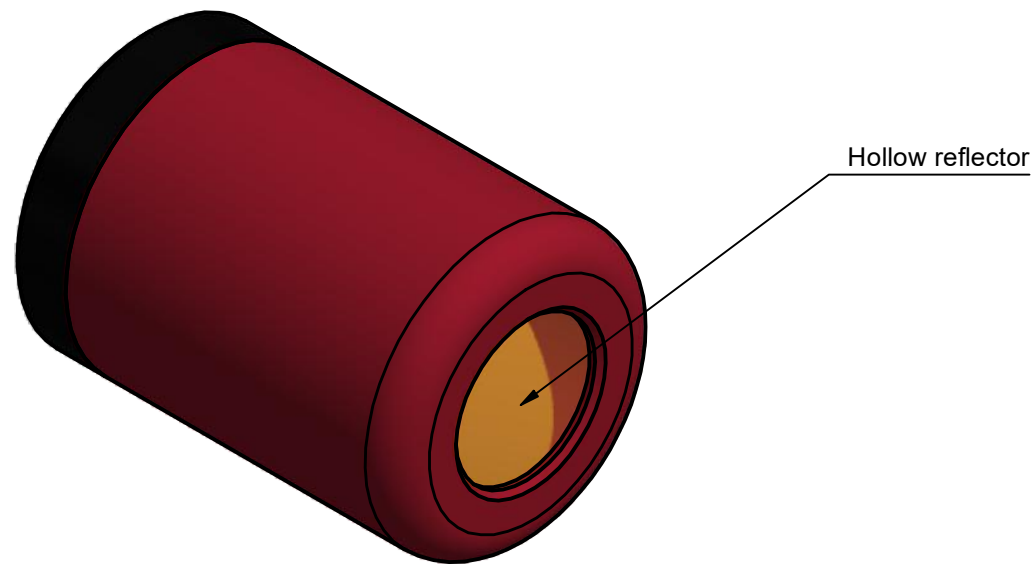
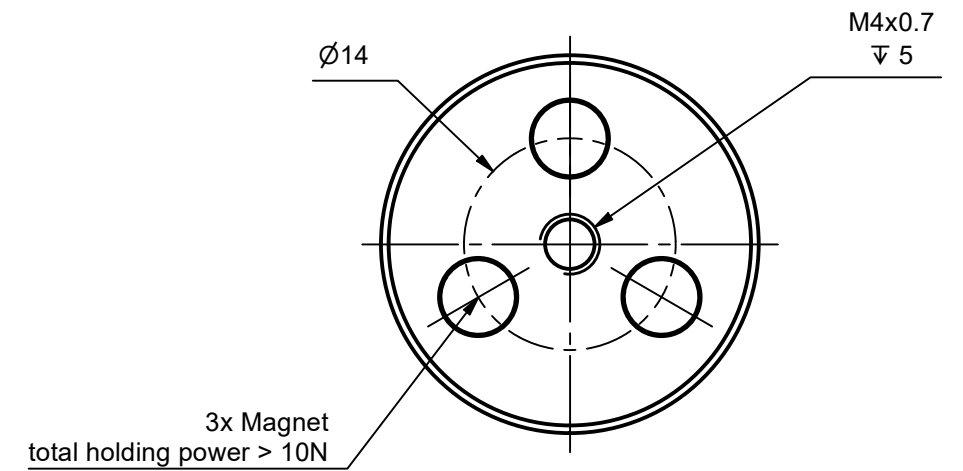
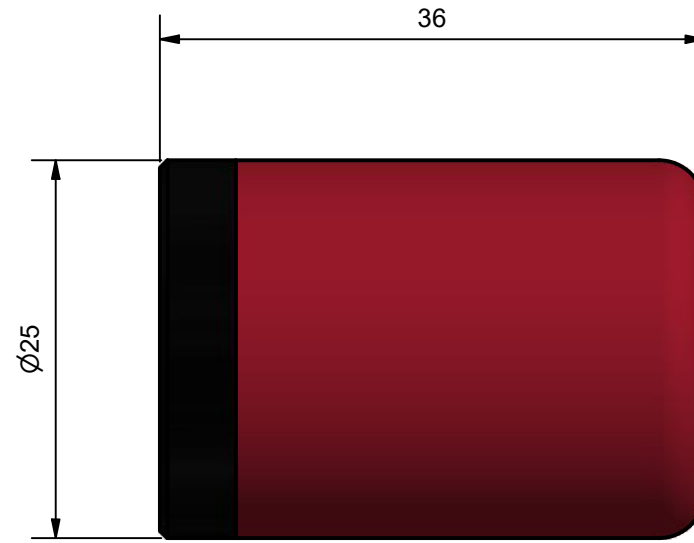
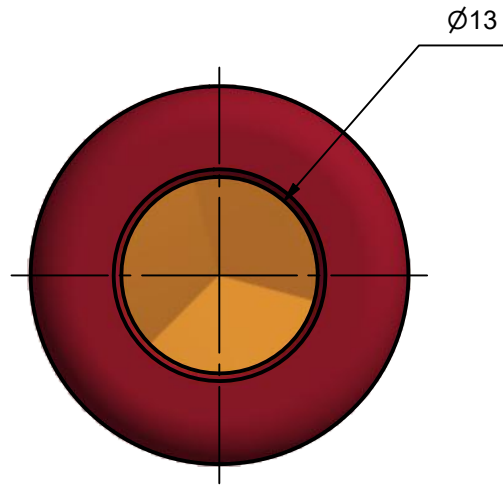


Hollow reflector (A035785)

Ø 25 mm with magnet fixture



m = 40g

Angle of Acceptance $\leq \pm 12^\circ$

all dimensions in mm