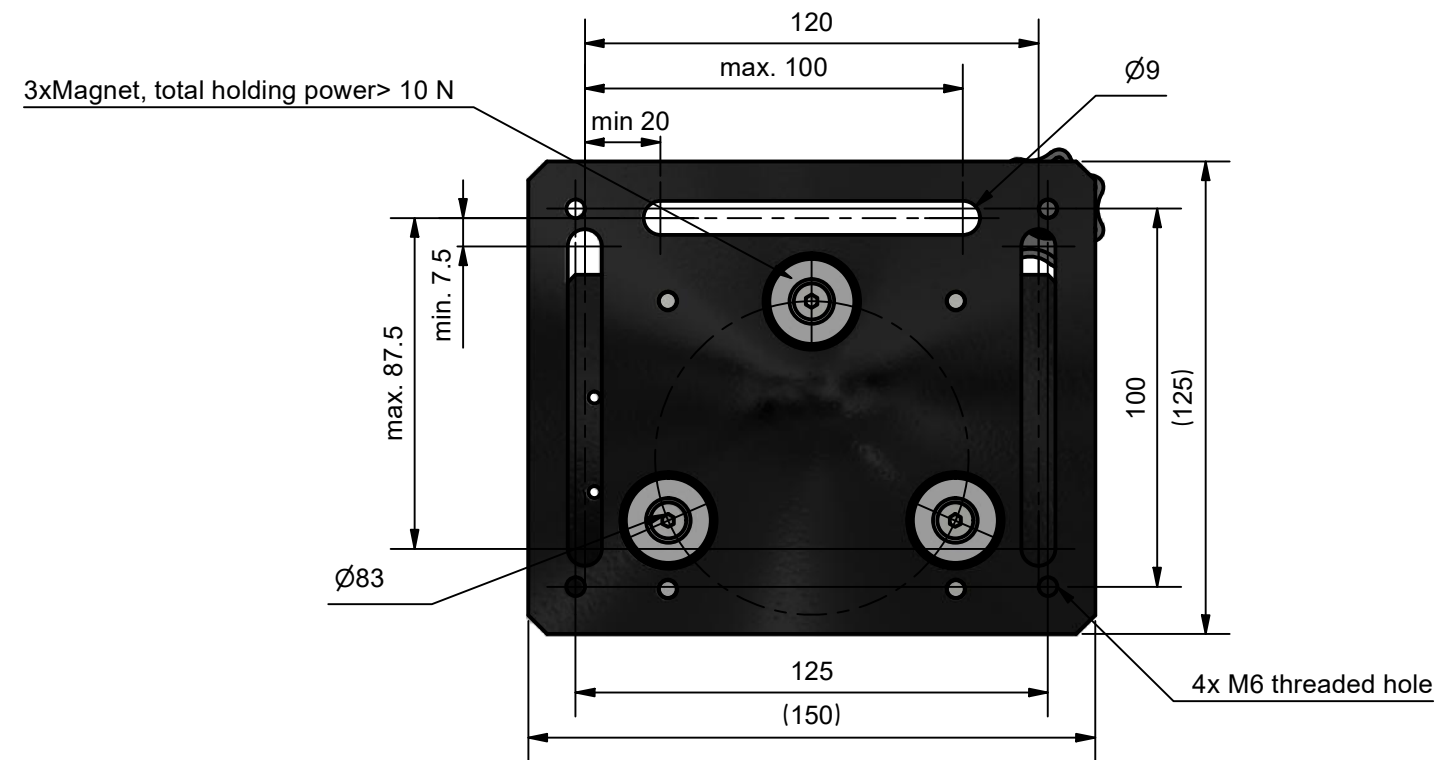
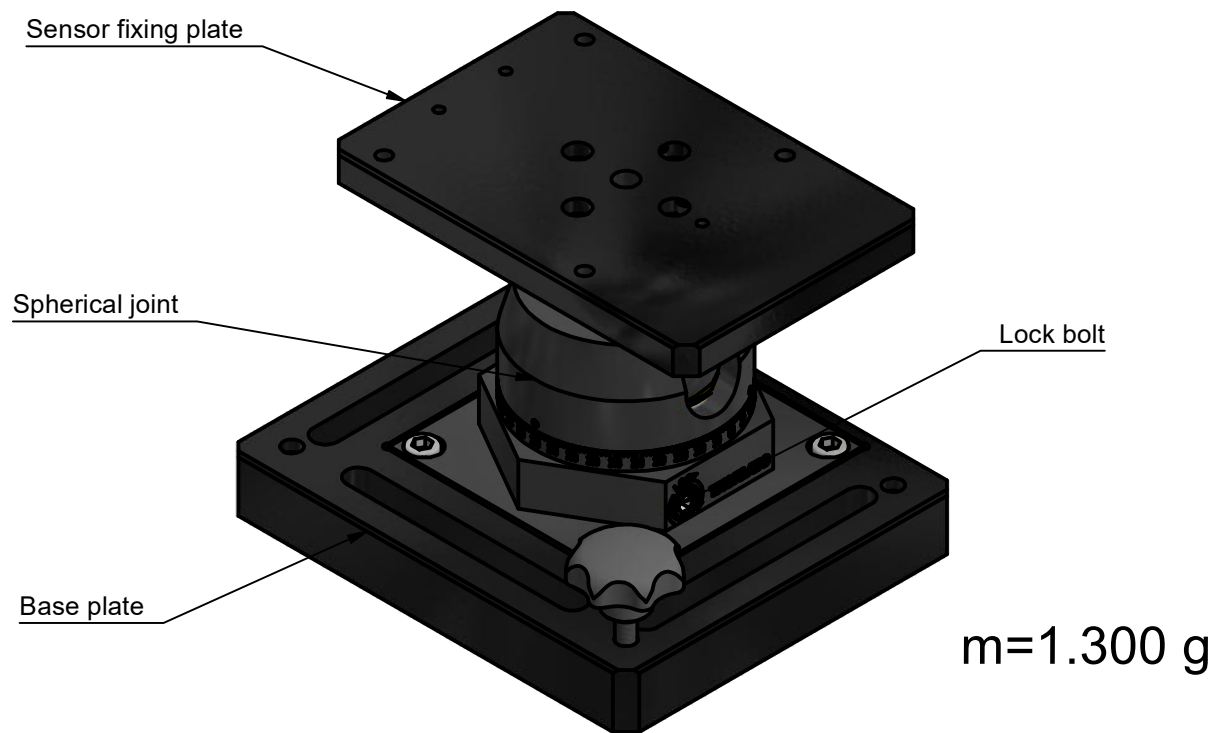
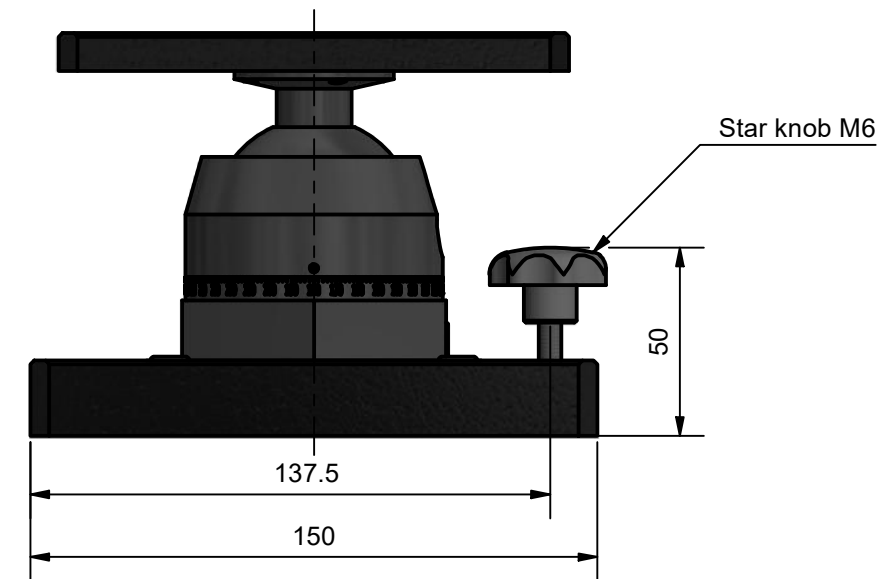
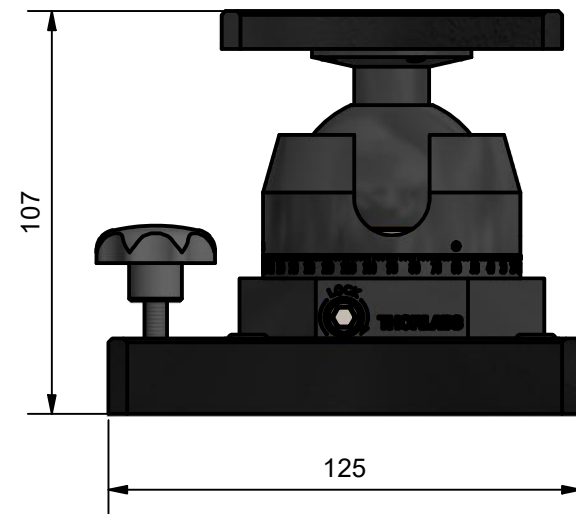


# Articulation base for SP 5000 NG (A034567) with magnet fixture



all dimensions in mm

**SIOS Meßtechnik GmbH**

Am Vogelherd 46 • 98693 Ilmenau/Germany • phone: +49 (0) 3677 64 47-0 • e-mail: [contact@sios.de](mailto:contact@sios.de) • [www.sios-precision.com](http://www.sios-precision.com)

**SIOS**  
Meßtechnik GmbH