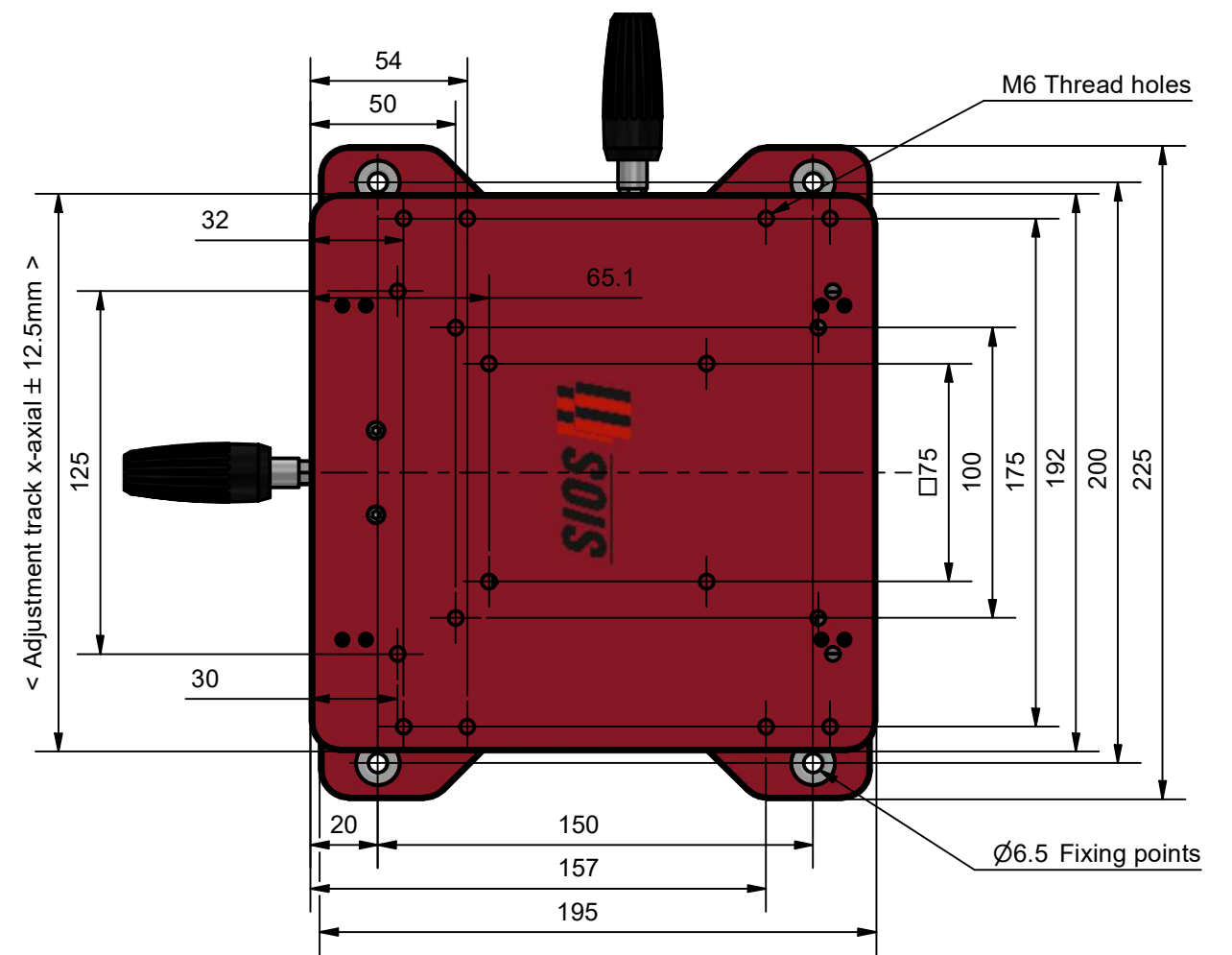
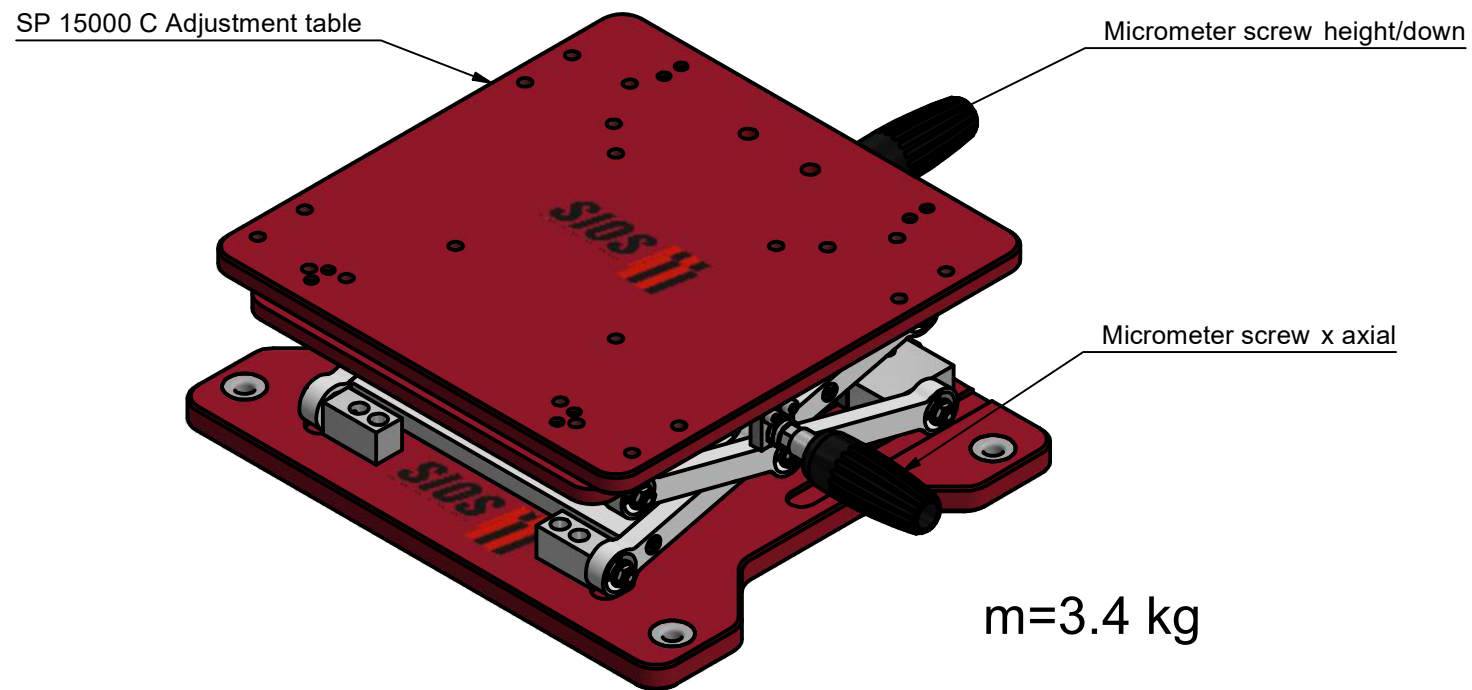
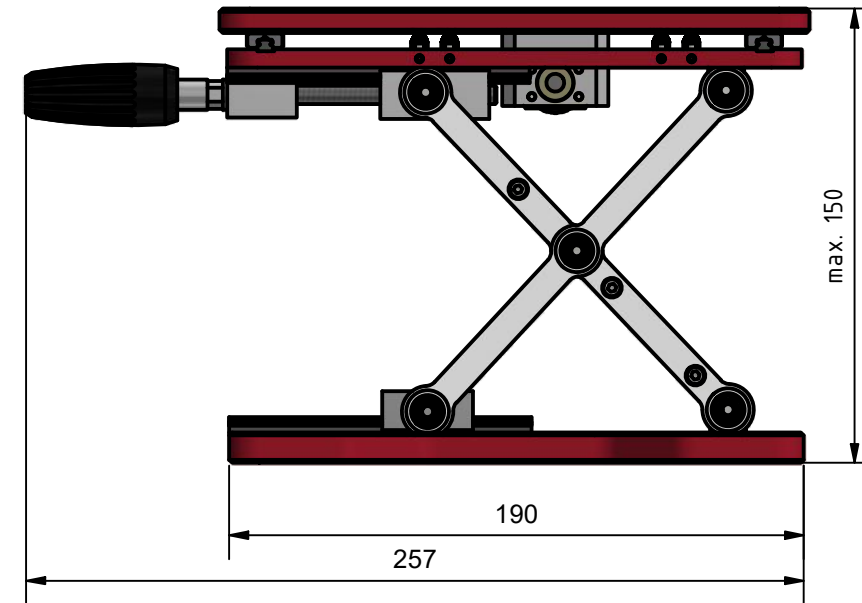
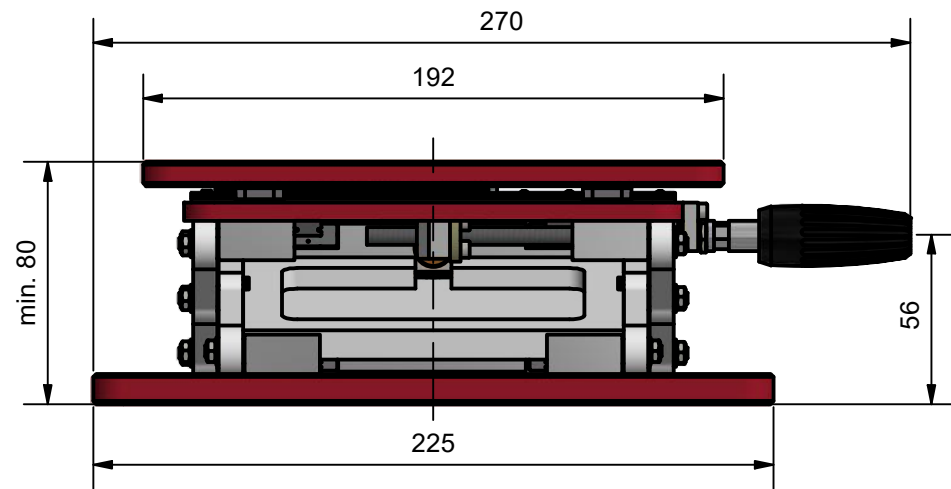


Adjustment table (A032051)

Lifting height 80 mm – max. 150 mm / x-axial ± 12.5 mm



all dimensions in mm

SIOS Meßtechnik GmbH

Am Vogelherd 46 • 98693 Ilmenau/Germany • phone: +49 (0) 3677 64 47-0 • e-mail: contact@sios.de • www.sios-precision.com

