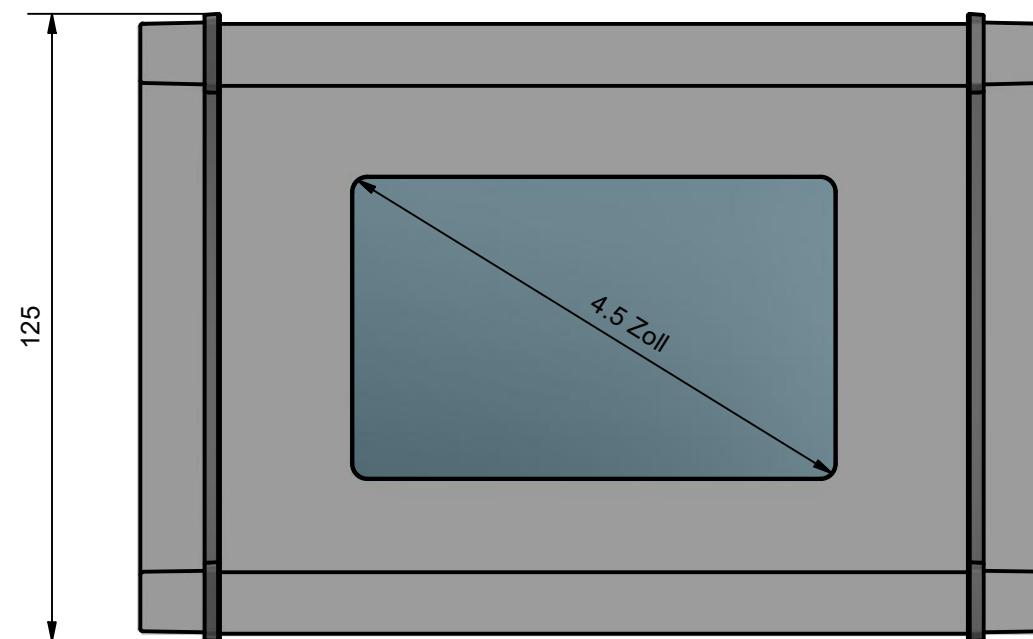
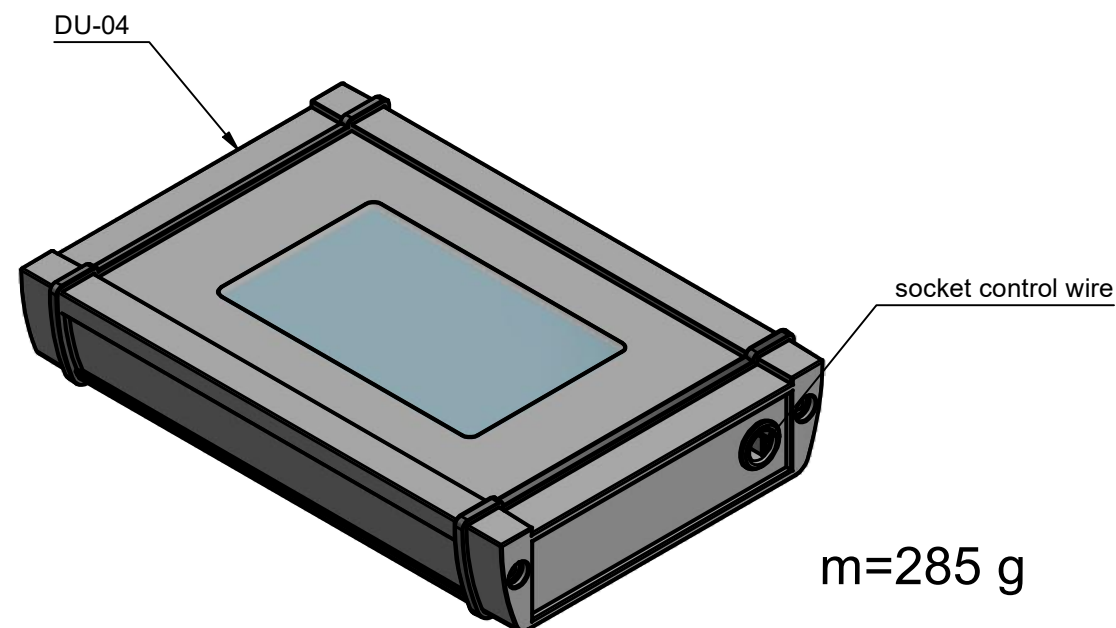
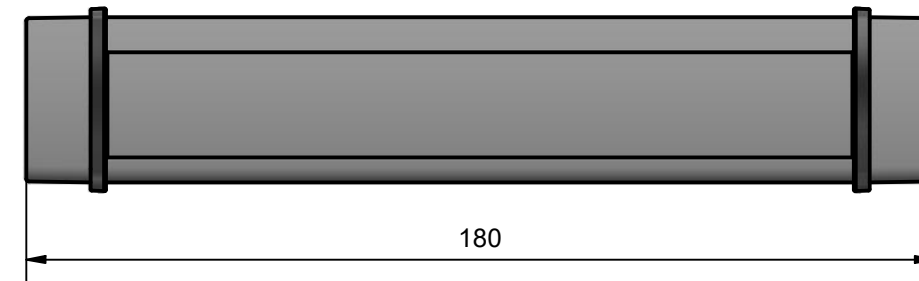
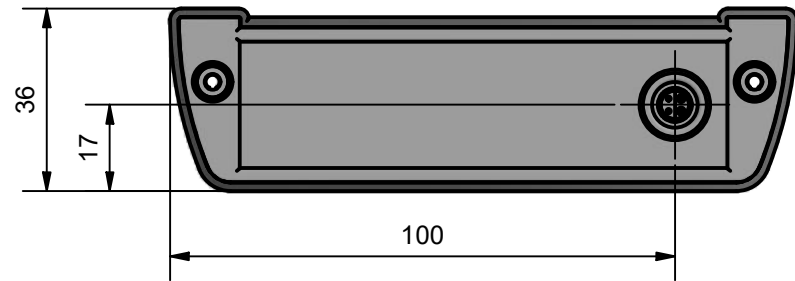


# DU-04 -Display-Unit- (A034568)

including cable (SP 15000, SP-NG)



all dimensions in mm